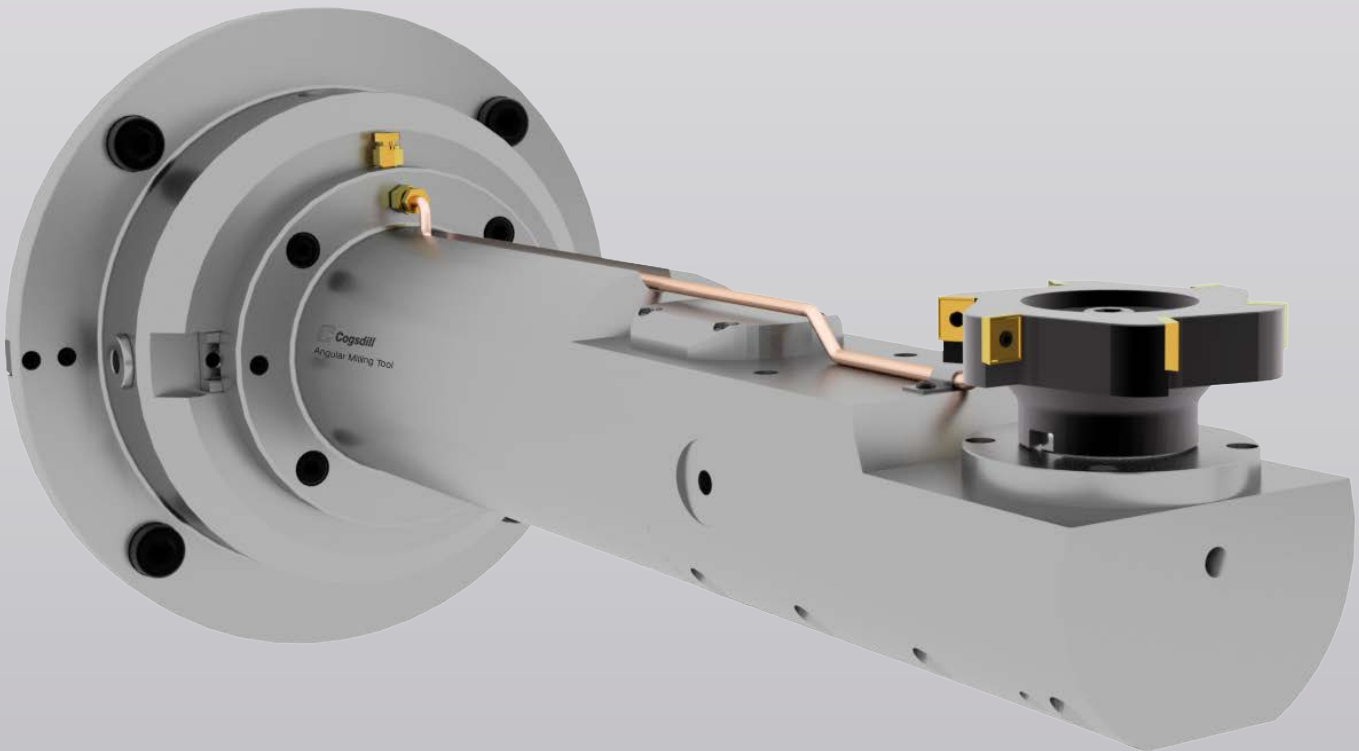
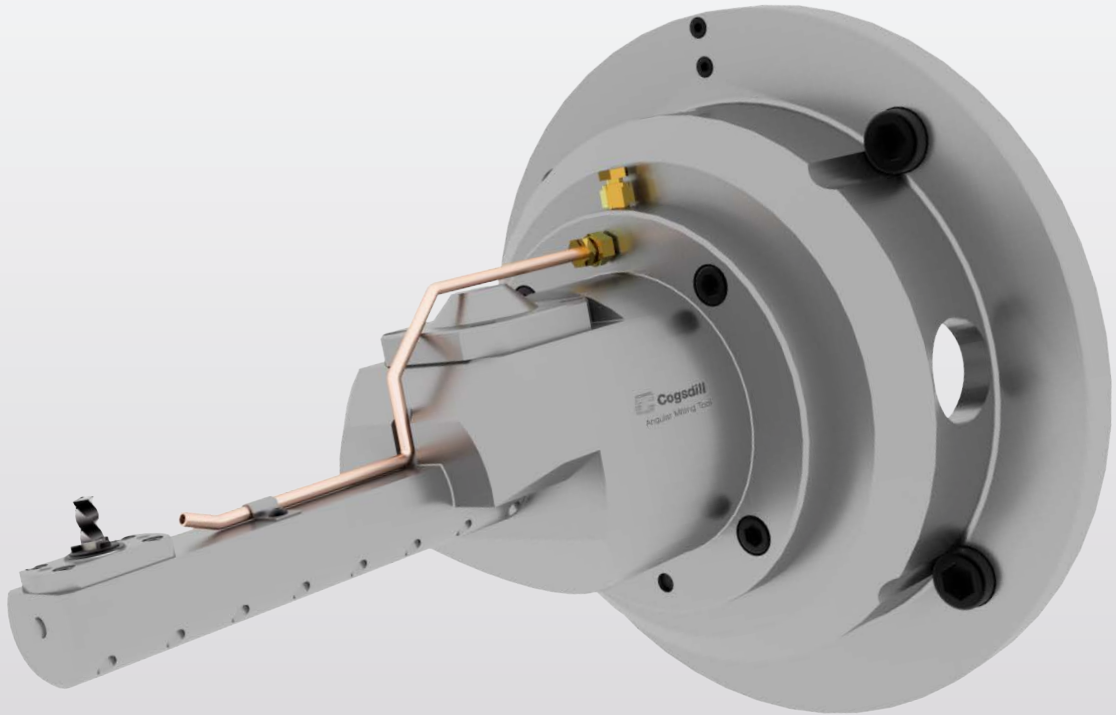
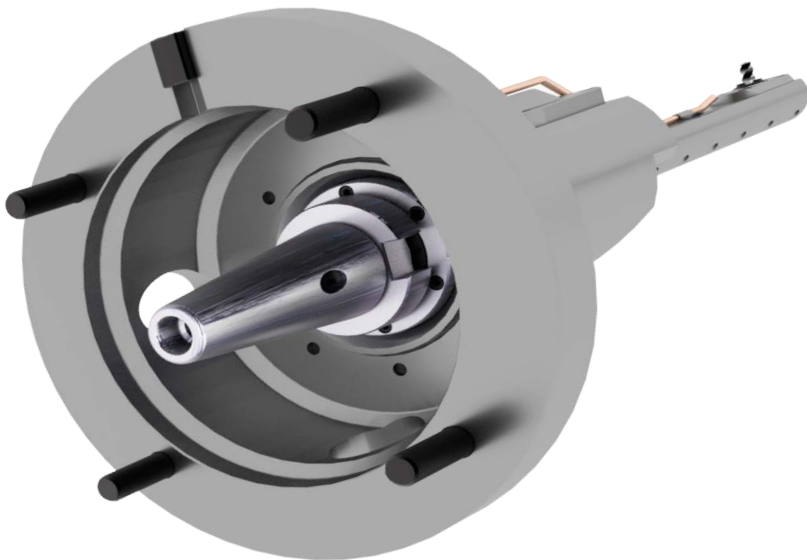
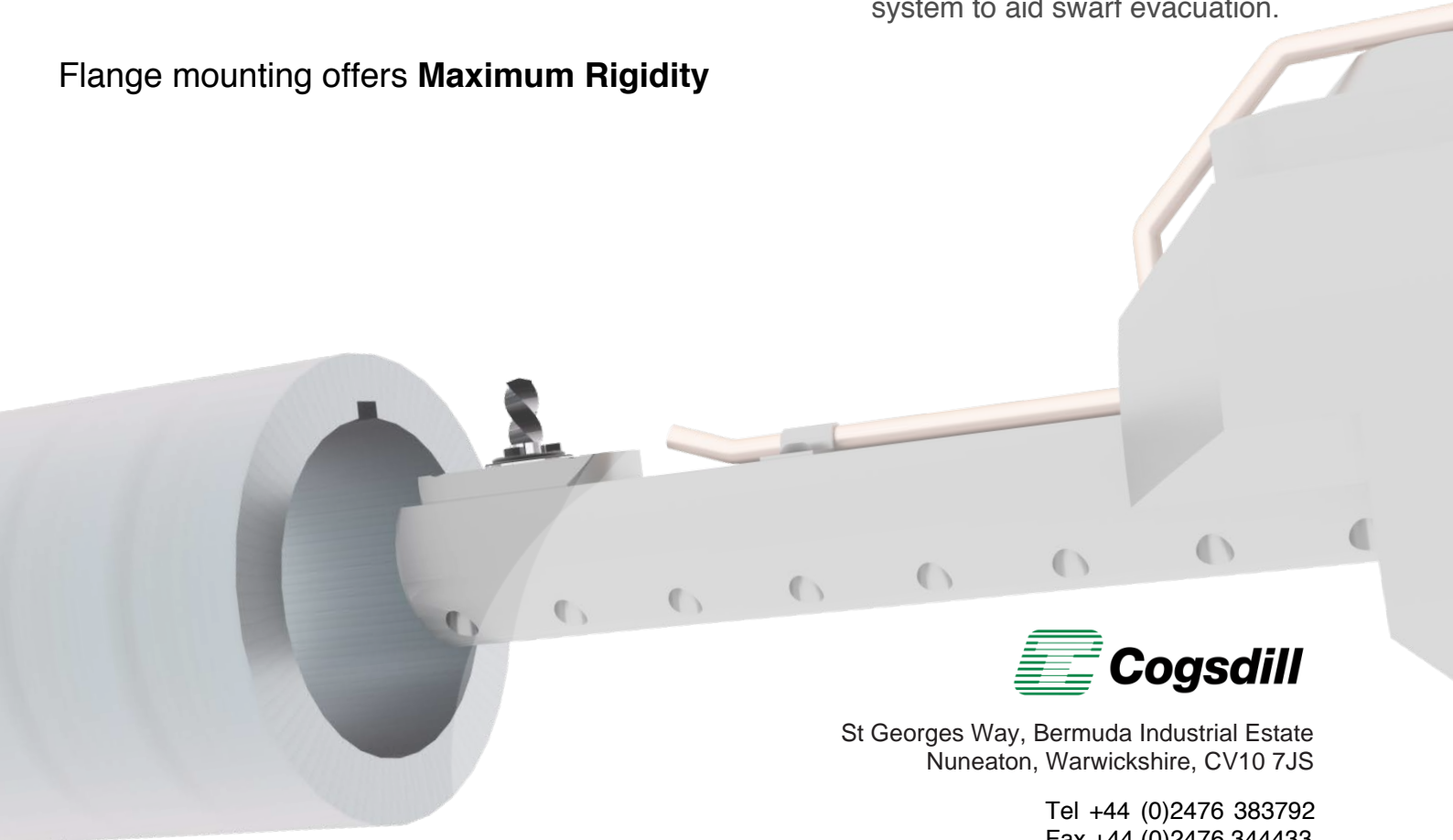


Angular Milling Tools





Flange mounting offers **Maximum Rigidity**



Overview

- Custom built Angular Milling tools to suit your specification.
- Manufactured to a high standard of quality with reliability and minimal maintenance in mind.
- Can be designed for manual loading, tool changing from a carousel or fully automated - Load and unload from a stacker unit.
- Lubricated for life with **Kluber Arcanol L75** grease with no further attention required unless the head is disassembled.
- All units supplied with a flush coolant system to aid swarf evacuation.